

Proscend 180-C/180-R



Description

Proscend 180-C/180-R is an integrated SFP bridge modem, a MSA compliant Small-Form Factor Pluggable module that enables traditional Ethernet switch, media converter and other network appliances to connect beyond typical Ethernet coverage (100 meters). Incorporated with the latest VDSL2 technology, this SFP modem can be easily adapted to existing applications with existing 2-wire cable, such as phone line, to avoid the cost of rewiring. It can drastically extend the Ethernet service on UTP wire with distance up to 3000 meters, and even with the rate of 100Mbps speed up to 400 meters on a standard Cat 5e 2 wire cable.

The SFP modem is also designed with flexible profiles settings for system integrator, or user, to select based on their unique applications and environment requirements. Symmetric profile can be applied as a standard Ethernet connection while Asymmetric profile can be used for other services like Video streaming or IP surveillance services which require high traffic flow in an uni-direction configuration. The SFP modem also supports Telco grade noise cancellation techniques like Interleave, high SNR profile, and retransmission that can effectively eliminate the noise impact to ensure your service/control messages can securely deliver in a harsh environment.

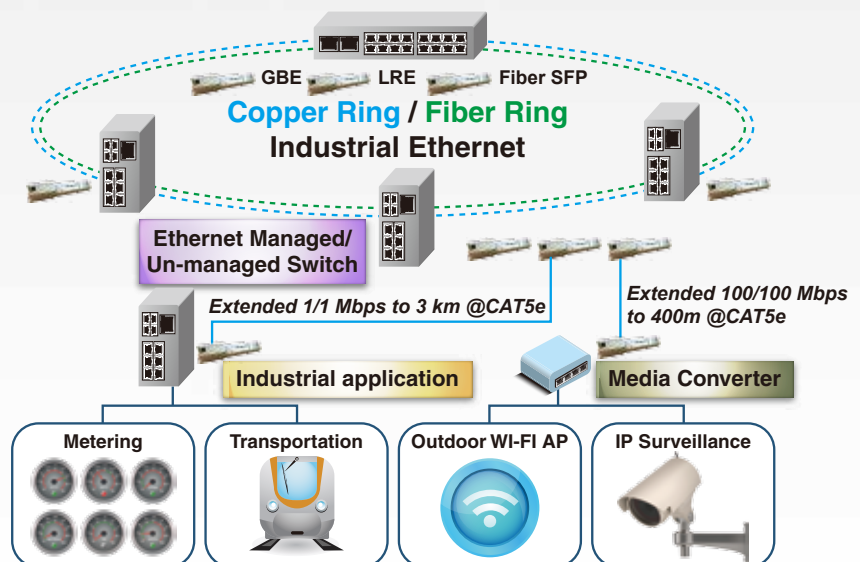
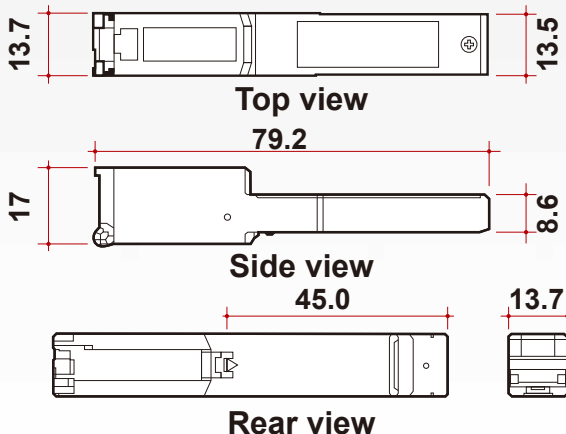
With long reach coverage, high noise immunity, and compact board size, **Proscend 180-C/180-R** SFP modem is an ideal upgrade for your Enterprise or Industry applications.

Features

- Industry Standard Small Form-Factor Pluggable (MSA compliant)
- Provide 100/100 Mbps up to 500m over CAT 5e
- Configurable SNR profile for noisy environment
- Industrial rated for -20°C to 75°C operation

MECHANICAL DIMENSIONS

(Units in mm)

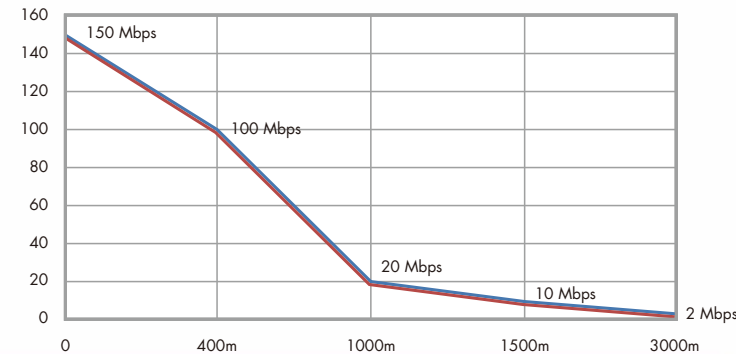


Proscend 180-C/180-R

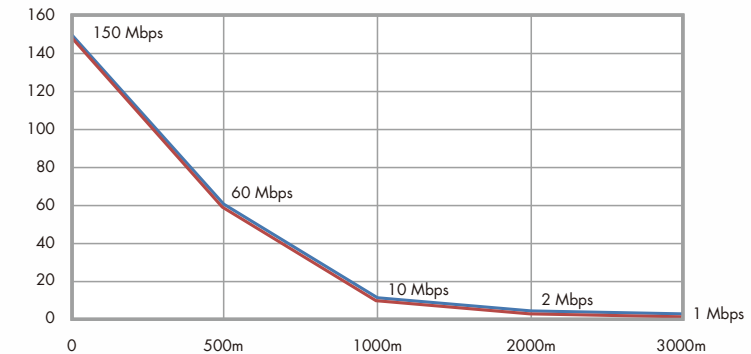


Performance

Symmetric Profile Data Rate (over Cat 5e)



Symmetric Profile Data Rate (over 26AWG)



Specifications

Hardware	RJ-45 (LRE Port)	
	SERDES connect to host	
	LED 1 (CO/ CPE indicator)	
	LED 2 (PWR/ Link Status indicator)	
Software	Self Boot & Managed by Internal Flash	
	Linux driver for managed devices	
Power Requirement	3.3v , 700mA	
Environment	Operating Temperature	-20 ~ +75°C
	Storage Temperature	-40 ~ +85°C
	Operating Humidity	5% to 90% (non-condensed)
	Storage Humidity	5% to 95% (non-condensed)
	ESD Standards	Contact: +/-4KV Air: +/-8KV (EN 61000-4-2)
	Radiated RFI Standards	Strength: 10V/m (EN 61000-4-3)
	EFT/BURST Standards	Power: 2KV Signal: 1KV (EN 61000-4-4)
	Surge Immunity Standards	Power: 2KV Signal: 1KV (EN 61000-4-5)
Certification	CE / FCC	

Order information

Specification	Model	180-C	180-R
Interface		SFP Compliant	SFP Compliant
Description		CO side	CPE side
Performance		300Mbps (Aggregate rate)	

Proscend reserves the right to change specifications without prior notice.
All brand names and trademarks are property of their respective owners. All rights reserved.

2F, No.36, Industry East Road IV, Hsinchu Science Park, Hsinchu, Taiwan. 300
Tel: +886-3-5639000 Fax: +886-3-5633830 Email: sales@proscend.com

PROSCEND[®]
Proscend Communications Inc.
www.proscend.com